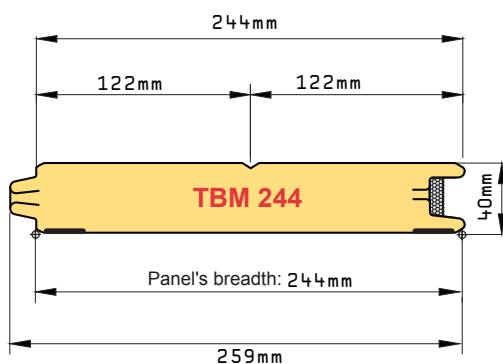


TBM 244
40mm (STEEL)

TECSEDO® BASE Micro



| | |
|--------------------------------------|-----------|
| Panel Weight | 2.58 kg/m |
| Weight Tolerance | ±5% |
| Ridges (Standard) | 122 mm |
| λ $\frac{mW}{m^{\circ}C}$ | <0.022 |
| K $\frac{Watt}{m^{\circ}C}$ | 0.26 |
| I (ISO 717) Soundproof Index (dB) | 25 |

259 mm
40 mm

Panel weight is for indication purposes only. Due to the typical tolerances getted during the several steps of the panels components manufacturing process, variations in the final weight of the panel can be found. For this reason and in accordance with the industrial "Best Practices", Tecseido recommends to weigh the panels before using them for each door assembly, in order to choose the most suitable springs.

| FINISHING External Face | COATING External Face | TYPE External Face | COLOURS* External Face | |
|----------------------------|--------------------------|-----------------------|---------------------------|--------------------|
| STUCCO | | | | |
| | 25µm Polyester | STANDARD COLOURS | RAL 9002 | RAL 9010 |
| INTERNAL FACE | COLOURS | | 25µm Polyester | |
| | | | RAL 9002 Stucco | RAL 9010 Stucco |

* Printed colours are for example only. To ensure proper colour and finishing representation, please contact TECSEDO and request a sample.